

# Technical data sheet



## Product features

### Cooking range electric 2x plate without cabinet 230 V

<b>Model</b>	<b>SAP Code</b>	00004087
--------------	-----------------	----------



- Device type: Electric unit
- Power consumption of the zone 1 [kW]: 2
- Power consumption of the zone 2 [kW]: 2
- Protection of controls: IPX4
- Material: AISI 304 top plate, AISI 430 cladding

<b>SAP Code</b>	00004087	<b>Loading</b>	400 V / 3N - 50 Hz
<b>Net Width [mm]</b>	328	<b>Number of zones</b>	2
<b>Net Depth [mm]</b>	609	<b>Power consumption of the zone 1 [kW]</b>	2
<b>Net Height [mm]</b>	290	<b>Power consumption of the zone 2 [kW]</b>	2
<b>Net Weight [kg]</b>	12.00	<b>Diameter of device [mm]</b>	180
<b>Power electric [kW]</b>	4.000		

# Technical data sheet



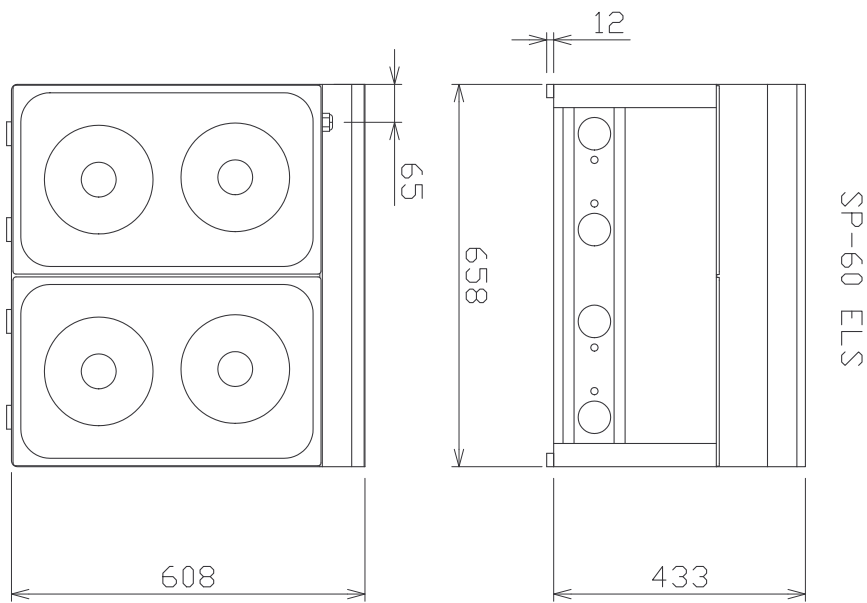
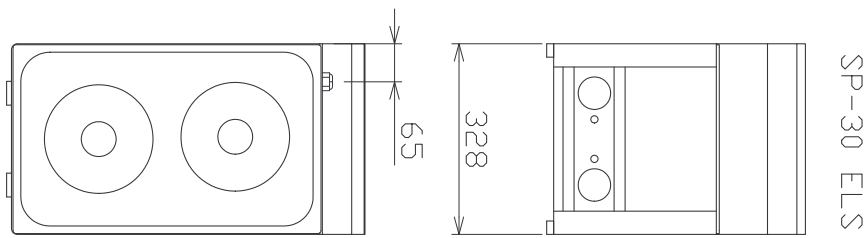
Technical drawing

Cooking range electric 2x plate without cabinet 230 V

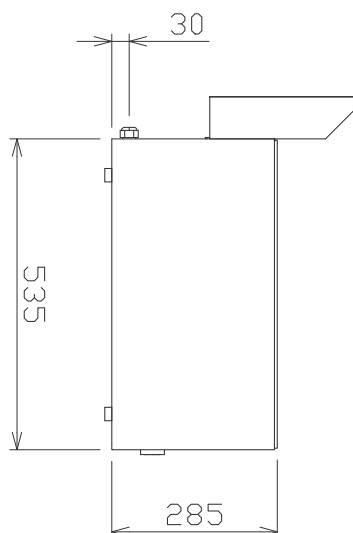
Model

SAP Code

00004087



SP-30,60 ELS



### Cooking range electric 2x plate without cabinet 230 V

<b>Model</b>	<b>SAP Code</b>	00004087
--------------	-----------------	----------

1

#### **Internal thermostatic plate protection**

longer service life of the plates  
– no overheating of the plates and no cracking

2

#### **Degree of protection of the control elements IPX4**

maintenance-free system  
resistance to splash water  
long life  
– savings on service interventions  
– greater job security for staff

3

#### **All stainless steel design**

long life  
resistance of AISI 304 stainless steel material  
the material does not cut  
– savings on service interventions  
– easy cleaning and maintenance of equipment

4

#### **Hygienic moldings of the top plate**

absence of sharp corners and edges (potential places where dirt could stick)  
smooth transitions  
– easy quick cleaning

5

#### **Cooking unit for use on a table or on a base**

absence of sharp corners and edges (potential places where dirt could stick)  
smooth transitions  
– easy handling  
– cost savings on substructure

# Technical data sheet



## Technical parameters

### Cooking range electric 2x plate without cabinet 230 V

<b>Model</b>	<b>SAP Code</b>	00004087
--------------	-----------------	----------

**1. SAP Code:**

00004087

**2. Net Width [mm]:**

328

**3. Net Depth [mm]:**

609

**4. Net Height [mm]:**

290

**5. Net Weight [kg]:**

12.00

**6. Gross Width [mm]:**

650

**7. Gross depth [mm]:**

366

**8. Gross Height [mm]:**

440

**9. Gross Weight [kg]:**

14.00

**10. Device type:**

Electric unit

**11. Construction type of device:**

Table top

**12. Power electric [kW]:**

4.000

**13. Loading:**

400 V / 3N - 50 Hz

**14. Protection of controls:**

IPX4

**15. Material:**

AISI 304 top plate, AISI 430 cladding

**16. Indicators:**

operation

**17. Worktop material:**

AISI 304

**18. Worktop Thickness [mm]:**

0.80

**19. Number of zones:**

2

**20. Power consumption of the zone 1 [kW]:**

2

**21. Power consumption of the zone 2 [kW]:**

2

**22. Maximum device temperature [°C]:**

400

**23. Minimum device temperature [°C]:**

50

**24. Number of power control stages:**

6

**25. Adjustable feet:**

Yes

**26. Number of burners/hot plates:**

2

**27. Diameter of device [mm]:**

180

**28. Type of electric cooking zones:**

Oval